



Lexmark MX310 Series

Monochrome Laser Multifunction Product



MX310dn

Versatility. Compact design.

The Lexmark MX310 Series multifunction product (MFP) is fast—with enterprise-worthy processing speeds that tackle printing, copying, faxing and scanning tasks in a flash. Efficient paper handling helps you improve productivity and save resources.

Better performance in less time.

Look no further for performance at an affordable price. This system is built to improve your workflow and efficiency with ease.

Faster processing - Improve your print, scan and copy speeds by taking advantage of 256 MB of memory and an 800 MHz dual-core processor.

Reliable performance - Easily print up to 6,000 pages per month, plus enjoy fewer maintenance hassles, thanks to our state-of-the-art paper handling.

Keep jobs moving - With a maximum input capacity of up to 850 sheets and a high yield toner cartridge, you won't have to add paper or change cartridges as often.

Get work done quickly - Enjoy print speeds up to 35 pages per minute, plus print or copy your first page in as little as 6.5 seconds.

Easy to use. High quality results.

Intuitive and thoughtful features put high quality output at your fingertips. From sharp graphics to convenient controls, it's easy to get professional results.

High resolution graphics - With up to true 1200x1200 dpi resolution, images and graphics stay crisp. Lexmark's Unison™ Toner ensures consistent quality, too.

Innovative toner that optimizes performance - Get greater system performance with Lexmark's Unison™ Toner, which delivers consistent image quality from first print to last.

Convenient control panel - Keep on top of your printing jobs with our easy-to-read Color LCD display.

Print on a wide range of media - With the ability to print on diverse materials, you can do more for your business and use less paper.

Get more work done effortlessly.

Quickly respond to changing business needs with our eco-friendly printers that streamline your workflow.

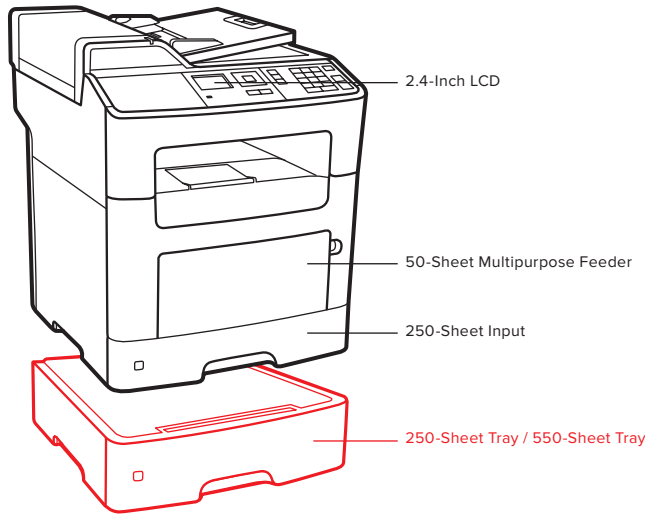
Help workers do more - Our system can print jobs from the network faster, so your teams stay productive.

Enjoy enterprise-level security - Now you can authenticate, authorize and audit employee usage. Plus, protect sensitive data using standard network security protocols.

Save resources and the planet - An instant warm-up fuser, built-in 2-sided printing, a high yield toner option, plus Quiet, Hibernate and Eco modes minimize noise and save paper and energy.

Print anytime and anywhere⁶ - With this system, you can print from desktops as well as mobile devices that can run applications.

Lexmark MX310 Series Monochrome Laser Multifunction Printer



Standard
 Optional

MX310 Series Product Features



Up to 35 ppm



Network



Duplex



Eco-Mode



Product specifications

Lexmark MX310dn

Product specifications		Lexmark MX310dn
Printing		
Function	Printing, Network Scanning, Faxing, Copying, Color Scanning	
Display	2.4-inch (6 cm) color LCD display	
Print Speed: Up to ⁴	Black: 35 ppm	
Time to First Page: As fast as	Black: 6.5 seconds	
Print Resolution	Black: 600 x 600 dpi, 1200 Image Quality, 2400 Image Quality, 1200 x 1200 dpi	
Memory / Processor	Standard: 256 MB / Maximum: 256 MB / Processor: Dual Core, 800 MHz	
Hard Disk	Not Available	
Recommended Monthly Page Volume ²	250 - 6000 pages	
Maximum Monthly Duty Cycle: Up to ³	50000 pages per month	
Copying		
Copy Speed: Up to ⁴	Black: 35 cpm	
Time to First Copy: As fast as	Black: 6.5 seconds	
Color Scanning		
Scanner Type / ADF Scan	Flatbed scanner with ADF / Simplex / 50 pages 20 lb or 75 gsm bond	
Simplex Scan Speed: Up to	A4/Ltr, Black: 42 / 43 sides per minute - A4/Ltr, Color: 19 / 20 sides per minute	
Optical Scanning Resolution	1200 X 600 ppi (black), 600 X 600 ppi (color)	
Faxing		
Modem Speed	ITU T.30, V.34 Half-Duplex, 33.6 Kbps	
Supplies⁵		
Laser Cartridge Yields	10,000 ¹ -page High Yield Cartridge, 2,500 ¹ -page Cartridge	
Cartridge(s) Shipping with Product	2,500 ¹ -page Return Program Toner Cartridge	
Paper Handling		
Included Paper Handling	Integrated Duplex, 150-Sheet Output Bin, 50-Sheet Multipurpose Feeder, 250-Sheet Input	
Optional Paper Handling	550-Sheet Tray, 250-Sheet Tray	
Paper Input Capacity: Up to	Standard: 300 pages 20 lb or 75 gsm bond / Maximum: 850 pages 20 lb or 75 gsm bond	
Paper Output Capacity: Up to	Standard: 150 pages 20 lb or 75 gsm bond / Maximum: 150 pages 20 lb or 75 gsm bond	
Media Types Supported	Refer to the Card Stock & Label Guide, Plain Paper, Envelopes, Card Stock, Paper Labels, Transparencies	
Media Sizes Supported	A6, Oficio, Universal, Statement, Folio, DL Envelope, A4, 7 3/4 Envelope, 10 Envelope, 9 Envelope, A5, Executive, JIS-B5, Legal, Letter	
General		
Standard Ports	Ethernet 10/100BaseTX (RJ-45), also works with 1000Base-T, USB 2.0 Specification Hi-Speed Certified (Type B)	
Optional Network Ports / Optional Local Ports	MarkNet N8352 802.11b/g/n Wireless, External MarkNet™ N7020e Gigabit Ethernet	
Noise Level, Operating	Printing: 53 dBA / Copy: 54 dBA / Scan: 55 dBA	
Product Warranty	1-Year Exchange Service, Next Business Day	
Size (in. - H x W x D) / Weight (lb.)	18.4 x 15.7 x 18.6 in. / 44.0 lb.	

¹ Average standard page yield value declared in accordance with ISO/IEC 19752. ² "Maximum Monthly Duty Cycle" is defined as the maximum number of pages a device could deliver in a month using a multishift operation. This metric provides a comparison of robustness in relation to other Lexmark printers and MFPs. ³ "Recommended Monthly Page Volume" is a range of pages that helps customers evaluate Lexmark's product offerings based on the average number of pages customers plan to print on the device each month. Lexmark recommends that the number of pages per month be within the stated range for optimum device performance, based on factors including: supplies replacement intervals, paper loading intervals, speed, and typical customer usage. ⁴ Print and copy speeds measured in accordance with ISO/IEC 24734, excludes first set of test documents. For more information see: www.lexmark.com/ISOspeeds. ⁵ Product functions only with replacement cartridges designed for use in a specific geographical region. See www.lexmark.com/regions for more details. ⁶ For more information on Lexmark Mobile Solutions see: http://www1.lexmark.com/en_US/solutions/business-solutions/mobile-print/index.shtml

